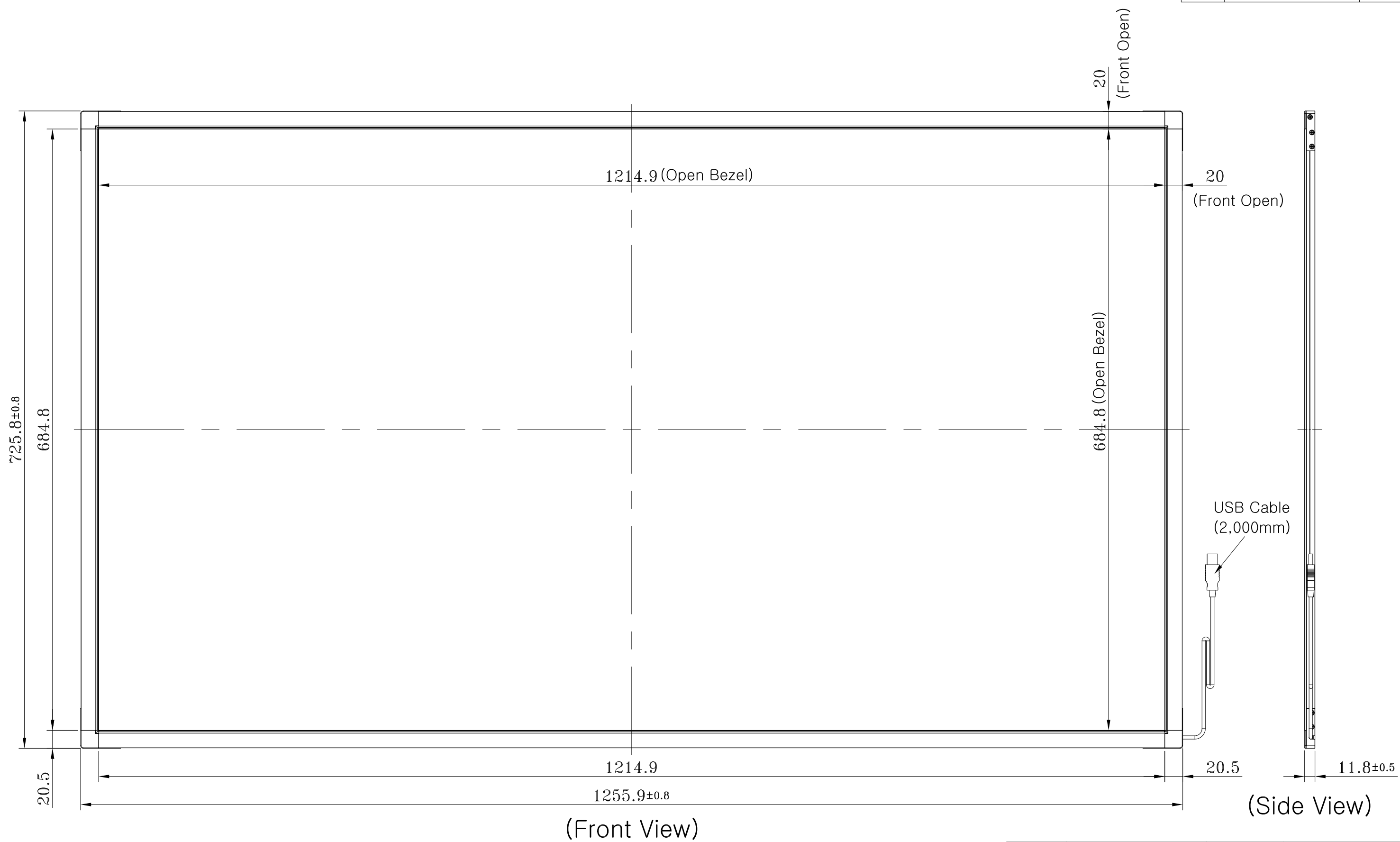


REVISION NO.	DESCRIPTION	DATE
V 1.0	Issued First	2011.10.25

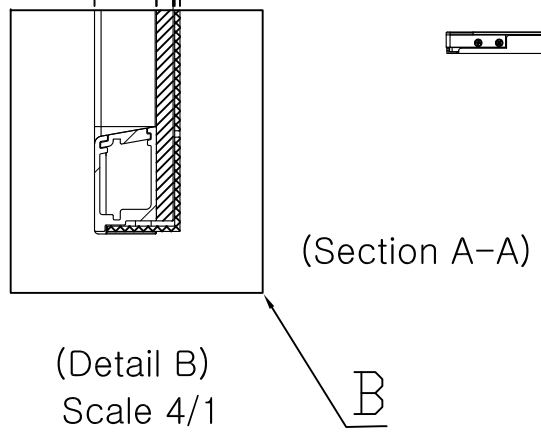
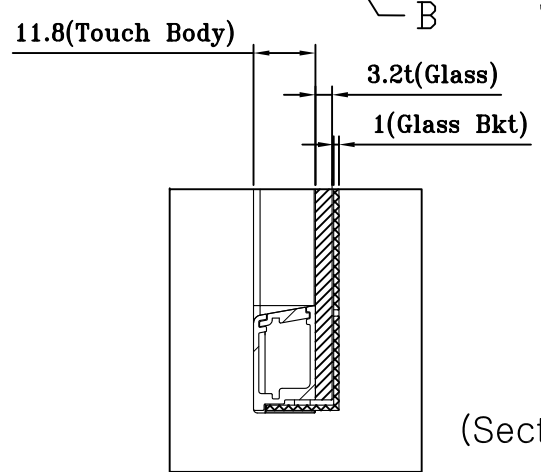
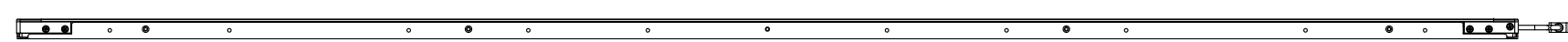
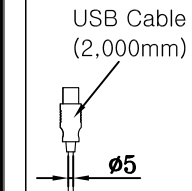
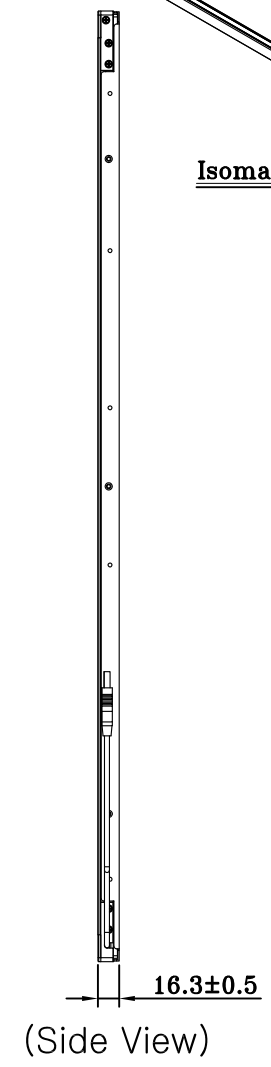
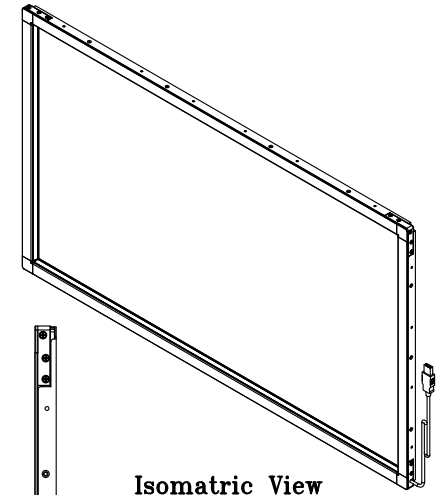
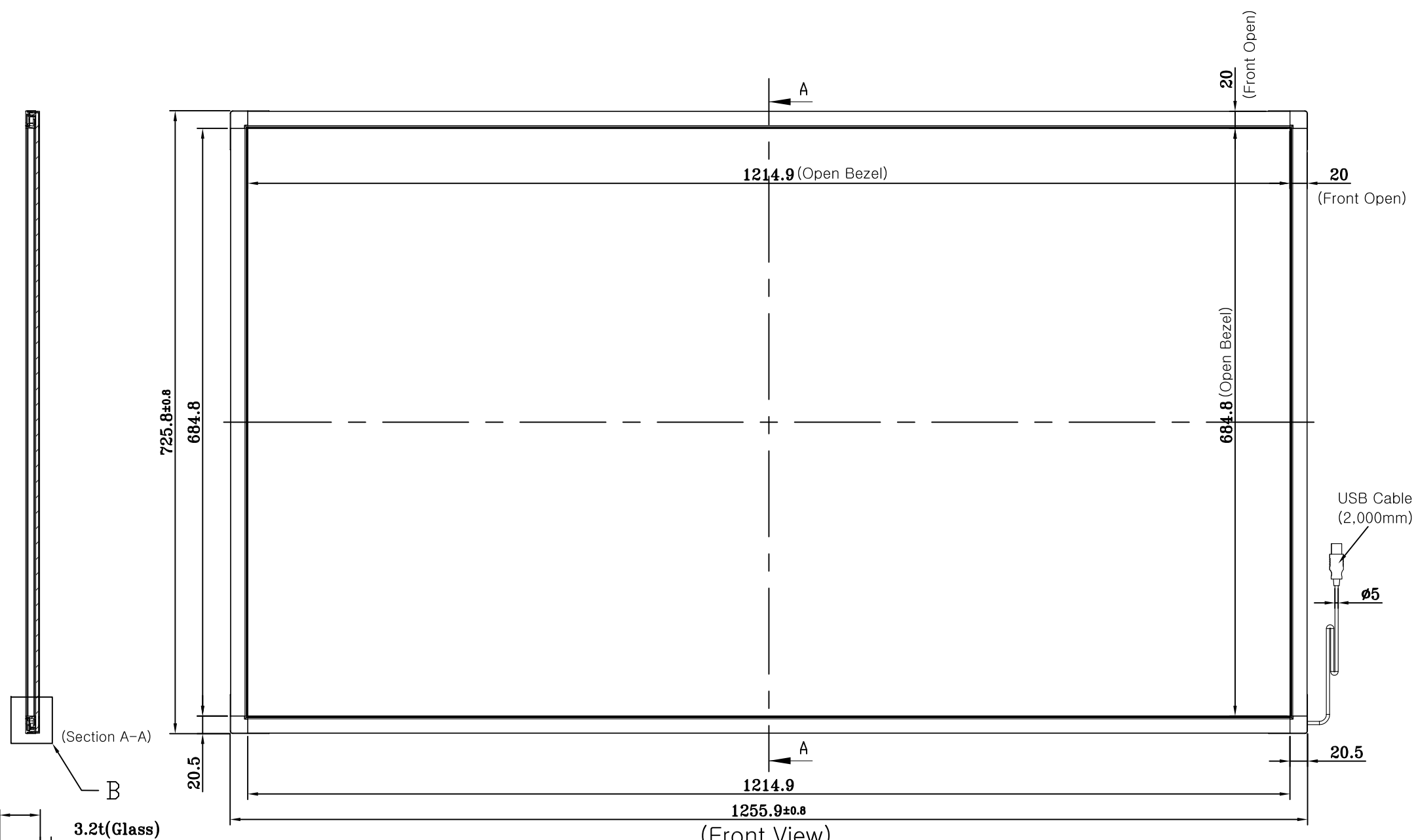


(Front View)

(Side View)

Model No.	A2 550					Product No.	NTI-0550-ABBXX-XI-XXXX-H02-GXX										
Part No.	-					Q'ty	1										
TOLERANCE (±MM)	Dim.	0	6	30	120	400	1000	PROJECTILE	SCALE	UNIT	SIZE	DATE					
	Class	-6	-30	-120	-400	-1000	-2000										
	A	0.05	0.1	0.15	0.2	0.3	0.5						3RD ANGLE	1/4	mm	A3	2011.10.25
	ⓑ	0.1	0.2	0.3	0.5	0.8	1.2						PROJECTION				
C	0.3	0.5	0.8	1.2	2	3	DRAWING NAME		A2 550 SET								
INEXIO	DESIGNED	CHECKED		APPROVED		DRAWING NO.		A2 - 0550 - 001									
	CM LEE	HJ KIM		DS LIM		SHEET NO.		SHEET 1 OF 1									

REVISION NO.	DESCRIPTION	DATE
V 1.0	Issued First	2011.12.16



Note

Model No.	A2					Product No.	NTI0550-02HI-AGSI-32HF					
Part No.						Q'ty	SPEC or MATERIAL REMARK					
TOLERANCE (±MM)	Dim.	0	6	30	120	400	1000	PROJECTILE	SCALE	UNIT	SIZE	DATE
	Class	~6	~30	~120	~400	~1000	~2000	3RD ANGLE PROJECTION	1/4	mm	A2	2011.12.16
	A	0.05	0.1	0.15	0.2	0.3	0.5					
	B	0.1	0.2	0.3	0.5	0.8	1.2					
C	0.3	0.5	0.8	1.2	2	3	DRAWING NAME	NTI 0550 SET				
						DESIGNED	CHECKED	APPROVED	DRAWING NO.	NTI 0550 - 001		
						SC Jang	CM Lee	DS Lim	SHEET NO.	SHEET 1 OF 1		